



<http://www.omicron-sensors.org>

Email : contact@omicron-sensors.org

MODEL : OMP07

Threaded M12 FLUSH MEMBRANE TRANSDUCER

- * **Ranges : 0-10 to 0-750 bar/10.88Kpsi**
- * **Accuracy : $\pm 0,5$ to $\pm 0,25$ % standard**
- * **($\pm 0,15$ or $\pm 0,1$ % optionally)**
- * **Static and dynamic applications**
- * **Probe integrated PT 100 (in option)**

- * Available in absolute , gauge or sealed , this flush membrane transducer comes in measurement ranges 0-10 to 0-750 bar .
- * The sensing element is equipped with strain gages in a Wheatstone bridge type configuration .Both the membrane and body are available in either stainless steel or titanium .
- * Operating temperature range from - 40 to 150 °C on standard , can be from - 60 to 200°C as an option .
- * Signal amplifying electronics are available as an option .
- * The design of the OMP07 makes the transducer useful for both static and dynamic measurement . In dynamic measurement the characteristics of the OMP07 remain unchanged for frequencies up to 20 % of the resonant frequency .

ELECTRICAL SPECIFICATIONS

- **Supply : 10 VCC nominal , 12 VCC max (on standard)
- **Offset : $\leq \pm 5$ % F.S.
- **Input/Output impedance : 350 ohm nominal
- **Electrical output : 4 wires shielded teflon cable

THERMAL SPECIFICATIONS

- **Operating temperature range : -40 à 150 °C (without electronics)
- **Compensated temperature range (CTR) : 0 à 60°C
- **Zero drift in CTR : ≤ 1 % de l'E.M
- **Sensitivity drift in CTR : $\leq 3.E-4$ / °C

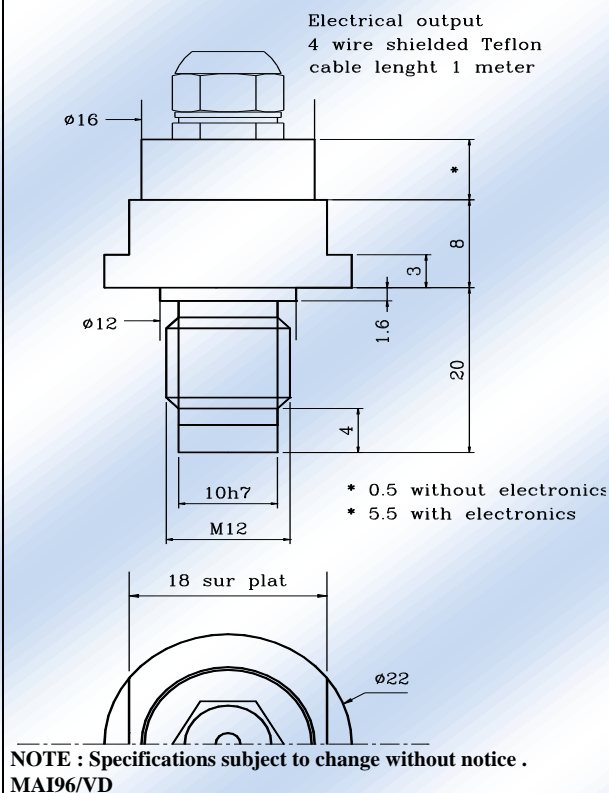
OPTIONS

- **Accuracy of $\pm 0.15\%$ or $\pm 0.1\%$
- **Amplifying electronics intégral to the transducer . (for supply , contact us)
- **Other thermal specifications (contact us)



MECHANICAL SPECIFICATIONS

- **Pressure connection : M 10 X100 , sealing ring supplied (BS ring depends on the nature of the fluide) .
- **Dimensions as in attached drawing (mm) :



Ranges (bar)	10	20	50	100	200	350	500	750
Overranges(bar)	15	30	75	150	300	525	750	1125
Accuracy(% F.S.)						$\pm 0.25\%$		
Resonance frequency(kHz)	30	50	70	110	150	190	250	300
Sensitivity(mV/V/F.S.)					1.5			
Sensitivity with amplifier(V/F.S.)					5Vdc			

CODE ORDER

Reference	Option temperature	Pressure	Option Amplifier	Option
OMP07	HT	0-750	MT/BT	M12 10.32/28UNF

OMICRON SENSORS ENVIRONNEMENT

AP62 03001ALICANTE (SPAIN)

Tel/FAX 0034685755956

Site Internet : www.omicron-sensors.org .Email : contact@omicron-sensors.org