



<http://www.omicron-sensors.org>

<mailto:contact@omicron-sensors.org>

**MODEL : OMP011S or M / 7000bar/145.03KPSI**

**PRESSURE TRANSDUCER (High pressure)**

- Ranges: de 0-7000 to 0-10000 bar/145.03kpsi  
14.504psi=1bar
- Accuracy  $\pm 0.5$  % standard
- In accordance with D.E.S.P
- Compatible with all fluids (Stainless steel)
- Mechanical decoupling (insensitive to torque)
- Métal/métal pressure connexion F312C
- Static and dynamic applications
- Probe integrated PT 100 (in option)

\* Designed for high pressure measurements, these transducer are constructed from hardened stainless steel, giving them extremely resistance.

\* Available in sealed gauge, this transducer is available in measurement ranges 0-7000 to 0-10000 bar

\* The sensing element is equipped with silicon or foil gages, while the body is in stainless steel.

\* Operating temperature range from -40 to +125°C

\* Signal amplifying electronics, both voltage and 4/20 mA, are available as an option.

**ELECTRICAL SPECIFICATIONS**

\*\*Supply : 10 Vdc nominal , 12 Vdc max (on standard)

\*\*Signal 1mV/V OMP111M

\*\*Signal 20mV/V OMP111S.

\*\*Offset :  $\leq \pm 5$  % F.S.

\*\*Output Impedance : 500 ohms nominal

\*\*Input Impedance : 1500 ohms nominal

\*\*Electrical output : 4 wire shielded Teflon cable

**THERMAL SPECIFICATIONS**

\*\*Operating temperature range : -40 to 125 °C

\*\*Compensated temperature range (CTR): 0 to 60°C

\*\*Zero drift in CTR:  $\leq \pm 1$  % F.S

\*\*Sensitivity drift in CTR:  $\leq \pm 1.5.E-2$  / °C

**OPTIONS**

\*\*Built in amplifier for high level output:

-MT : 10 to 32 Vdc unregulated

-BT :  $\pm 15$  Volts regulated

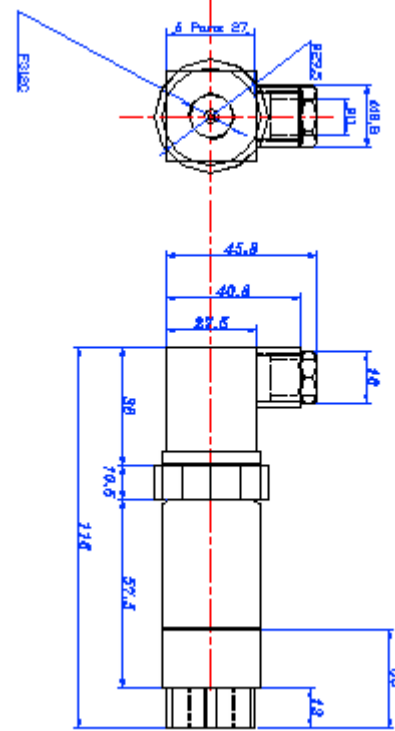
-C : 4/20 mA output for 10 - 32 Vdc unregulated supply



**MECHANICAL SPECIFICATIONS**

\*\*Pressure connection : Metal/metal female F312C

\*\*Dimensions as in attached drawing:



Pressure connection

NOTE : NOTE : Specifications subject to change without noticeMAI96/VD

Ranges ( bar )	7000	8000	9000	10000
Overranges ( bar )		X 1.5		
Accuracy ( $\pm$ % F.S.)		0.5		
Sensitivity ( mV/F.S.) nominal		10/ 250		
Sensitivity ( /F.S.) Op:C/ Mt and BT		4-20mA 5V/10V		

**CODE ORDER**

Reference	Option Temperature	Pressure	Option Amplifier	Option
OMP011	HT	0-7000	S/M/MT/A	7000bar/PT100

**OMICRON SENSORS ENVIRONNEMENT**

AP62 03001 ALICANTE (SPAIN)

Tel/ 0034685755956

Site Internet : [www.omicron-sensors.org](http://www.omicron-sensors.org) .Email : <mailto:contact@omicron-sensors.org>